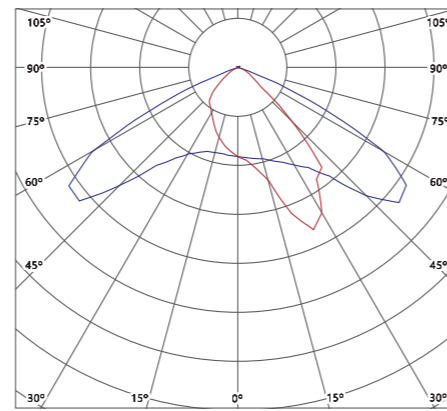




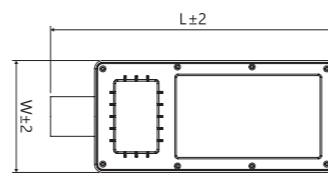
OUTDOOR LIGHTING

FEST

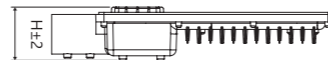
Highly efficient IP66 LED streetlight with aluminium pressure die cast housing toughened glass in the front and peanut lens for batwing light distribution to ensure uniform light distribution. Front maintainable driver compartment for easy maintenance.



Front View



Side View



PRODUCT SPECIFICATIONS

Housing

Pressure die-cast aluminium alloy for housing (heat sink) for effective thermal management, sturdiness & excellent corrosion resistance. Cable gland used for maintaining ingress protection. Epoxy powder coated with smooth finish. Tempered protective toughened glass, thermal, shock and impact-resistant, fixed to the housing.

Optics

High lumen efficacy LED module with SMD LED package mounted with PC lens to ensure better uniformity of light distribution.

Mounting

Suitable for pole mounting with bracket arm.

Control Gear

Powered by an integral electronic driver with output short-circuit protection, surge protection & other safety tests.

Surge Protection

Upto 4 KV (Internal); Inbuilt 10KV external SPD

IP

66

RECOMMENDED USAGE

• Road Lighting • Campus Lighting • Industrial Estates • Open Parkings • Circulating Areas

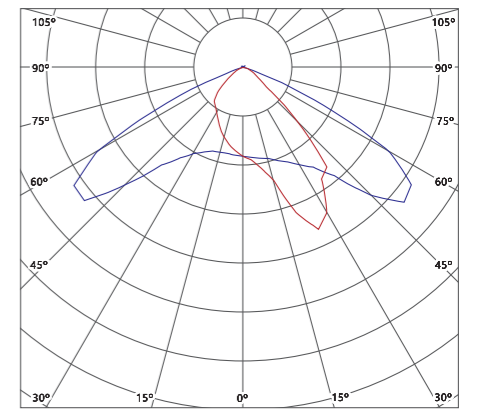
TECHNICAL DETAILS

Model No.	System Wattage	Rated CCT	CRI	Rated Voltage	Power Factor	Dimensions (in mm)		
						L	W	H
LSFT-045-C	45W	5700K	≥70	240V AC	≥0.95	376	148	70
LSFT-060-C	60W	5700K	≥70	240V AC	≥0.95	376	148	70
LSFT-070-C	70W	5700K	≥70	240V AC	≥0.95	376	148	70

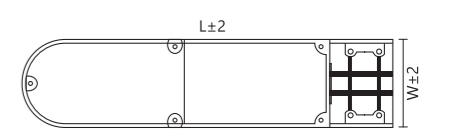
CCT's are available in Cool white, Neutral white & Warm white.

FIESTA

LED streetlight designed with excellent thermally managed aluminium pressure die cast housing having heat dissipating fins for larger surface area, matt finish powder coated in grey paint and fitted with polycarbonate cover in the front for the desired Ingress Protection. Front maintainable driver compartment for easy maintenance.



Front View



Side View



PRODUCT SPECIFICATIONS

Housing

Pressure die-cast aluminium alloy for housing (heat sink) for effective thermal management, sturdiness & excellent corrosion-resistance. Cable gland is used for maintaining ingress protection. Epoxy powder coated with smooth finish. High-quality PC cover fixed to the housing.

Optics

High lumen efficacy LED module with SMD LED package mounted with PC lens to ensure better uniformity of light distribution.

Mounting

Suitable for pole mounting with bracket arm.

Control Gear

Powered by an integral electronic driver with output short-Circuit Protection, Surge Protection & other safety tests.

Surge Protection

Up to 4 KV (internal); optional 10 KV external SPD

IP

66

RECOMMENDED USAGE

• Road Lighting • Campus Lighting • Industrial Estates • Open Parking • Circulating Areas

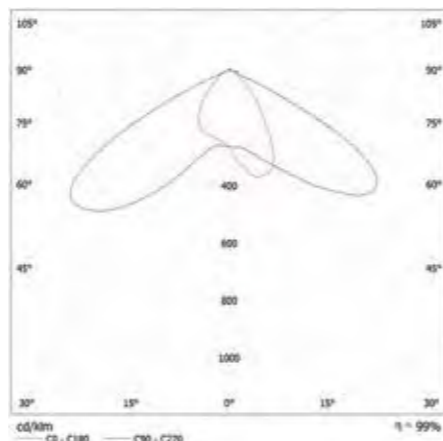
TECHNICAL DETAILS

Model No.	System Wattage	Rated CCT	CRI	Rated Voltage	Power Factor	Dimensions (in mm)				
						L	W	H	D	
LSFS-020-CF	20W	5700K	≥70	240V AC	≥0.95	3225	79	79	54	540

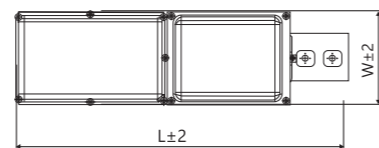
CCT's are available in Cool white, Neutral white & Warm white.

FIESTA PC

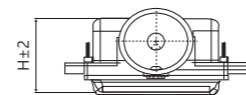
LED streetlight designed with excellent thermally managed aluminium pressure die-cast housing having heat-dissipating fins for larger surface area, matte-finish powder-coated in grey paint and fitted with polycarbonate cover in the front for the desired Ingress Protection.



Front View



Side View



PRODUCT SPECIFICATIONS

Housing

Pressure die-cast aluminium alloy for housing (heat sink) for effective thermal management, sturdiness & excellent corrosion-resistance. Cable gland is used for maintaining ingress protection. Epoxy powder-coated with smooth finish. High-quality PC cover fixed to the housing.

Optics

High lumen efficacy LED module with SMD LED package mounted with PC lens to ensure better uniformity of light distribution.

Mounting

Suitable for pole mounting with bracket arm.

Control Gear

Powered by an integral electronic driver with output Short-Circuit Protection, Surge Protection & other safety tests.

Surge Protection

Up to 4 KV (Internal); optional 10 KV external SPD

IP

66

RECOMMENDED USAGE

• Road Lighting • Campus Lighting • Industrial Estates • Open Parking • Circulating Areas

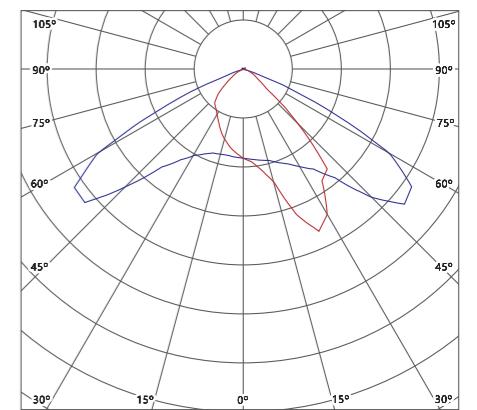
TECHNICAL DETAILS

Model No.	System Wattage	Rated CCT	CRI	Rated Voltage	Power Factor	Dimensions (in mm)		
						L	W	H
LSFS-25-CF-PC	25W	5700K	≥70	240V AC	≥0.95	246	103	85
LSFS-36-CF-PC	36W	5700K	≥70	240V AC	≥0.95	255	118	85
LSFS-45-CF-PC	45W	5700K	≥70	240V AC	≥0.95	255	118	85

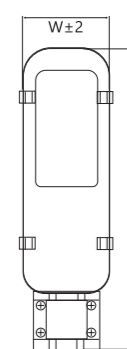
CCT's are available in Cool white, Neutral white & Warm white.

FIESTA PLUS

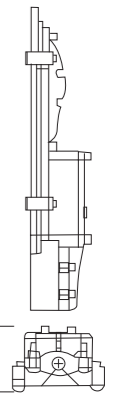
Highly-efficient LED streetlight with aluminium pressure die-cast housing toughened glass in the front and peanut lens for batwing light distribution to ensure uniform light distribution. Front maintainable driver compartment for easy maintenance.



Front View



Side View



PRODUCT SPECIFICATIONS

Housing

Pressure die-cast aluminium alloy for housing (heat sink) for effective thermal management, sturdiness & excellent corrosion resistance. Cable gland is used for maintaining ingress protection. Epoxy powder-coated with smooth finish. Tempered protective toughened glass, thermal, shock and impact-resistant, fixed to the housing.

Optics

High lumen efficacy LED module with SMD LED package mounted with PC lens to ensure better uniformity of light distribution.

Mounting

Suitable for pole mounting with bracket arm.

Control Gear

Powered by an integral electronic driver with output short-Circuit Protection, Surge Protection & other safety tests.

Surge Protection

Up to 4 KV (internal); optional 10 KV external SPD

IP

66

RECOMMENDED USAGE

• Road Lighting • Campus Lighting • Industrial Estates • Open Parking • Circulating Areas

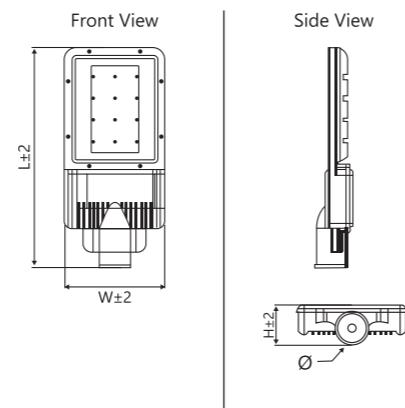
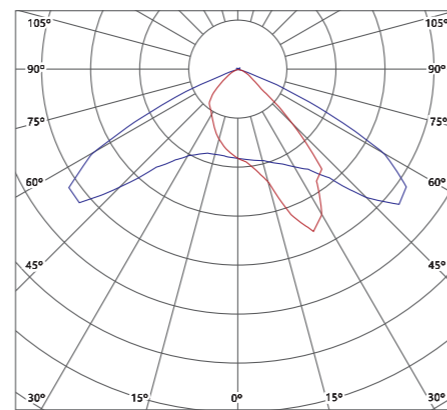
TECHNICAL DETAILS

Model No.	System Wattage	Rated CCT	CRI	Rated Voltage	Power Factor	Dimensions (in mm)			
						L	W	H	Pole OD
LSFS-020-C	20W	5700K	≥70	240V AC	≥0.95	325	94	74	25-35
LSFS-030-C	30W	5700K	≥70	240V AC	≥0.95	325	94	74	25-35

CCT's are available in Cool white, Neutral white & Warm white.

FIESTA PLUS

Highly-efficient LED streetlight with aluminium pressure die-cast housing toughened glass in the front, and peanut lens for batwing light distribution to ensure uniform light distribution. Top maintainable driver compartment for easy maintenance.



PRODUCT SPECIFICATIONS

Housing

Pressure die-cast aluminium housing (heat sink) and elegantly designed extruded aluminium heat sink for effective thermal management, sturdiness & excellent corrosion-resistance. Cable gland is used for maintaining ingress protection. Epoxy powder-coated with smooth finish. Tempered protective toughened glass, thermal, shock and impact-resistant, fixed to the housing.

Optics

High lumen efficacy LED module with SMD LED package mounted with PC lens to ensure better uniformity of light distribution.

Mounting

Suitable for pole mounting with bracket arm.

Control Gear

Powered by an integral electronic driver with output Short-Circuit Protection, Surge Protection & other safety tests.

Surge Protection

Up to 4 kV (internal); Inbuilt 10 kV external SPD

IP

66

RECOMMENDED USAGE

• Road Lighting • Campus Lighting • Industrial Estates • Open Parking • Circulating Areas

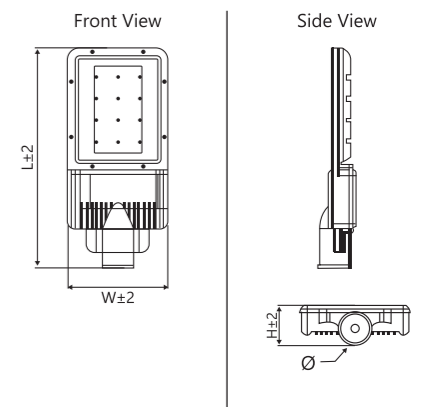
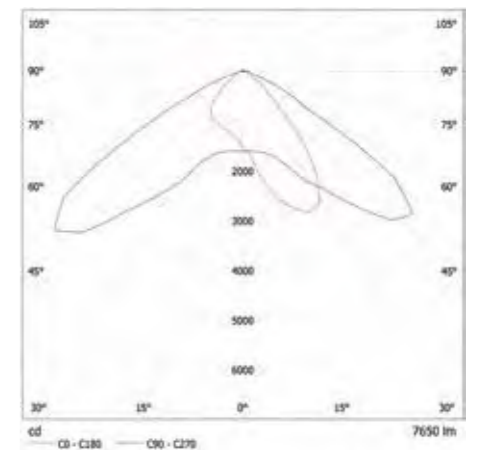
TECHNICAL DETAILS

Model No.	System Wattage	Rated CCT	CRI	Rated Voltage	Power Factor	Dimensions (in mm)		
						L	W	H
LSFS-040-C	40W	5700K	≥70	240V AC	≥0.95	325	94	74
LSFS-045-C	45W	5700K	≥70	240V AC	≥0.95	325	94	74
LSFS-060-C	60W	5700K	≥70	240V AC	≥0.95	388	95	88
LSFS-070-C	70W	5700K	≥70	240V AC	≥0.95	391	179	62
LSFS-080-C	80W	5700K	≥70	240V AC	≥0.95	391	179	62
LSFS-090-C	90W	5700K	≥70	240V AC	≥0.95	391	179	62
LSFS-110-C	110W	5700K	≥70	240V AC	≥0.95	446	226	115
LSFS-120-C	120W	5700K	≥70	240V AC	≥0.95	446	226	115
LSFS-150-C	150W	5700K	≥70	240V AC	≥0.95	446	226	115
LSFS-160-C	160W	5700K	≥70	240V AC	≥0.95	540	266	90
LSFS-180-C	180W	5700K	≥70	240V AC	≥0.95	540	266	90
LSFS-200-C	200W	5700K	≥70	240V AC	≥0.95	540	266	90
LSFS-250-C	250W	5700K	≥70	240V AC	≥0.95	660	264	97

CCT's are available in Cool white, Neutral white & Warm white.

FIESTA PLUS PC

Highly-efficient LED streetlight with aluminium pressure die-cast housing and engraved PC lens in the front for batwing light distribution to ensure uniform light distribution. Front maintainable driver compartment for easy maintenance.



PRODUCT SPECIFICATIONS

Housing

Pressure die-cast aluminium for housing for effective thermal management, sturdiness & excellent corrosion resistance. Cable gland is used for maintaining ingress protection. Epoxy powder-coated with smooth finish. Engraved PC lens front cover fixed to the housing.

Optics

High lumen efficacy LED module with SMD LED package mounted with engraved PC lens to ensure better uniformity of light distribution.

Mounting

Suitable for pole mounting with bracket arm.

Control Gear

Powered by an integral electronic driver with output short-Circuit Protection, Surge Protection & other safety tests.

Surge Protection

Up to 4 kV (internal); optional 10 kV external SPD

IP

66

RECOMMENDED USAGE

• Road Lighting • Campus Lighting • Industrial Estates • Open Parking • Circulating Areas

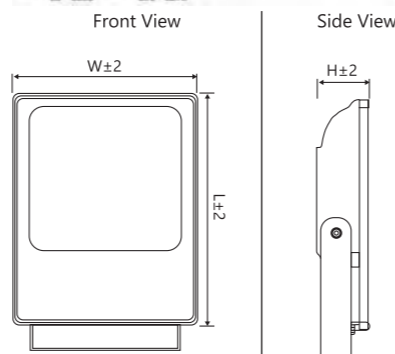
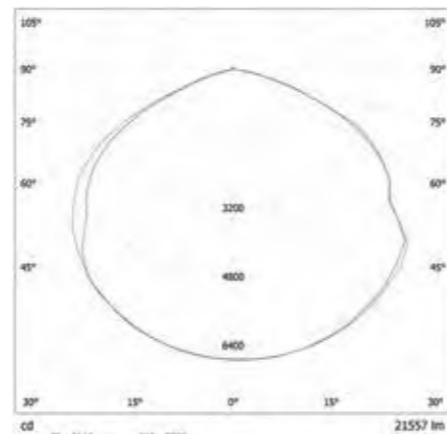
TECHNICAL DETAILS

Model No.	System Wattage	Rated CCT	CRI	Rated Voltage	Power Factor	Dimensions (in mm)		
						L	W	H
LSFS-030-C-PC	30W	5700K	≥70	240V AC	≥0.95	253	85	70
LSFS-045-C-PC	45W	5700K	≥70	240V AC	≥0.95	317	96	57
LSFS-060-C-PC	60W	5700K	≥70	240V AC	≥0.95	300	153	89
LSFS-070-C-PC	70W	5700K	≥70	240V AC	≥0.95	300	153	89
LSFS-090-C-PC	90W	5700K	≥70	240V AC	≥0.95	300	153	89
LSFS-100-C-PC	100W	5700K	≥70	240V AC	≥0.95	300	153	89
LSFS-120-C-PC	120W	5700K	≥70	240V AC	≥0.95	366	196	90
LSFS-150-C-PC	150W	5700K	≥70	240V AC	≥0.95	480	210	93
LSFS-180-C-PC	180W	5700K	≥70	240V AC	≥0.95	539	263	90
LSFS-200-C-PC	200W	5700K	≥70	240V AC	≥0.95	539	263	90

CCT's are available in Cool white, Neutral white & Warm white.

SIGMA

Energy saving, robust LED Flood light luminaires with high efficacy suitable for highlighting architectural facade highmast and general purpose lighting.



PRODUCT SPECIFICATIONS

Housing

Aluminum alloy pressure die casted housing & control gear box for better heat dissipation and aesthetic appeal. The fixture is epoxy powder coated with smooth finish.

Optics

High lumen efficacy LED module with SMD LED package mounted to ensure better uniformity of light distribution.

Mounting

Wall or surface mounting using adjustable MS cradle.

Control Gear

Powered by an integral electronic driver with output short-circuit protection, surge protection & other safety tests.

Surge Protection

Upto 4 KV (Internal)

IP

65

RECOMMENDED USAGE

- Area Lighting • Building Façade • Open Parking • Security Lighting
- Construction Sites Lighting

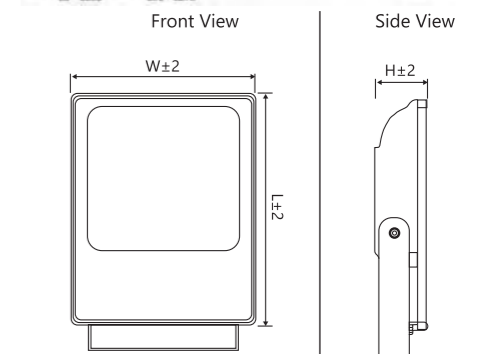
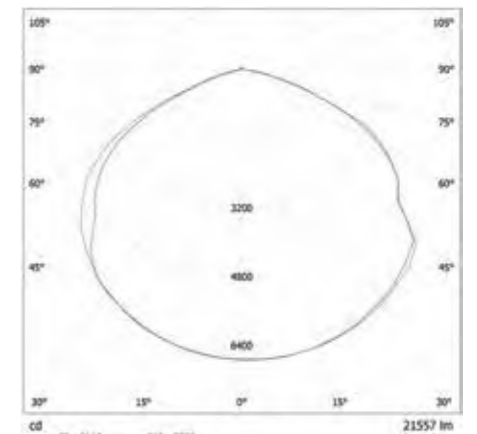
TECHNICAL DETAILS

Model No.	System Wattage	Rated CCT	CRI	Rated Voltage	Power Factor	Dimensions (in mm)		
						L	W	H
LFSM-020-C-V1	20W	5700K	≥70	240V AC	≥0.95	179	184	44
LFSM-030-C-V1	30W	5700K	≥70	240V AC	≥0.95	179	184	44
LFSM-040-C-V1	40W	5700K	≥70	240V AC	≥0.95	224	229	52
LFSM-050-C-V1	50W	5700K	≥70	240V AC	≥0.95	224	229	52
LFSM-060-C-V1	60W	5700K	≥70	240V AC	≥0.95	224	229	52
LFSM-070-C-V1	70W	5700K	≥70	240V AC	≥0.95	275	285	63
LFSM-080-C-V1	80W	5700K	≥70	240V AC	≥0.95	275	285	63
LFSM-100-C-V1	100W	5700K	≥70	240V AC	≥0.95	275	285	63
LFSM-120-C-V1	120W	5700K	≥70	240V AC	≥0.95	306	285	75
LFSM-150-C-V1	150W	5700K	≥70	240V AC	≥0.95	306	285	75
LFSM-160-C-V1	160W	5700K	≥70	240V AC	≥0.95	306	285	75
LFSM-180-C-V1	180W	5700K	≥70	240V AC	≥0.95	355	327	75
LFSM-200-C-V1	200W	5700K	≥70	240V AC	≥0.95	355	327	84
LFSM-250-C-V1	250W	5700K	≥70	240V AC	≥0.95	355	327	84
LFSM-300-C-V1	300W	5700K	≥70	240V AC	≥0.95	400	420	75
LFSM-350-C-V1	350W	5700K	≥70	240V AC	≥0.95	510	395	155
LFSM-400-C-V1	400W	5700K	≥70	240V AC	≥0.95	510	395	155

CCT's are available in Cool white, Neutral white & Warm white. 350W & 400W driver on back of the luminaire part.

SIGMA ULTRA

Energy-saving, robust LED flood light luminaires with high efficacy-suitable for highlighting architectural facade High-mast and general purpose lighting.



PRODUCT SPECIFICATIONS

Housing

Aluminium alloy pressure die-casted housing & control gear box for better heat dissipation and aesthetic appeal. The fixture is epoxy powder-coated with smooth finish.

Optics

High lumen efficacy LED module with SMD LED package mounted

Mounting

Wall or surface mounting using adjustable MS cradle.

Control Gear

Powered by an integral electronic driver with output Short-Circuit Protection, Surge Protection & other safety tests.

Surge Protection

Up to 4 KV (internal); Inbuilt 10 KV external SPD

IP

66

RECOMMENDED USAGE

- Area Lighting • Building Façade • Open Parking • Security Lighting

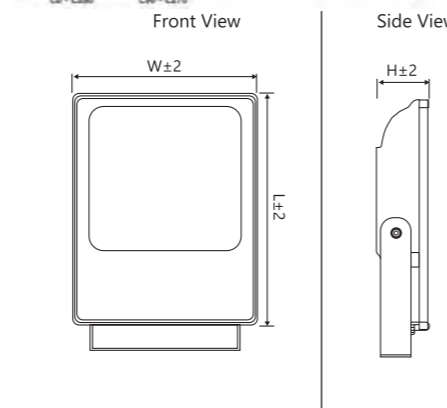
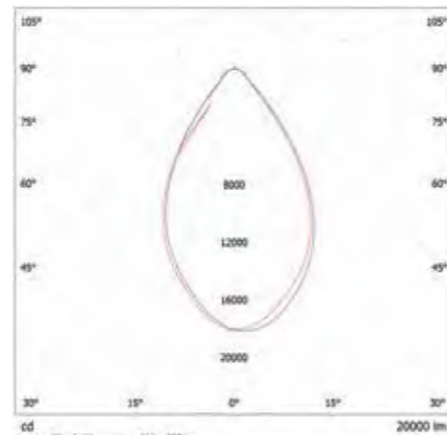
TECHNICAL DETAILS

Model No.	System Wattage	Rated CCT	CRI	Rated Voltage	Power Factor	Dimensions (in mm)		
						L	W	H
LFSMU-070-C	70W	5700K	≥70	240V AC	≥0.95	228	188	130
LFSMU-100-C	100W	5700K	≥70	240V AC	≥0.95	305	305	80
LFSMU-120-C	120W	5700K	≥70	240V AC	≥0.95	305	305	80
LFSMU-150-C	150W	5700K	≥70	240V AC	≥0.95	305	305	80
LFSMU-200-C	200W	5700K	≥70	240V AC	≥0.95	390	299	155
LFSMU-250-C	250W	5700K	≥70	240V AC	≥0.95	390	299	155

CCT's are available in Cool white, Neutral white & Warm white.

SIGMA PLUS

Energy-saving, robust LED flood light luminaires with high- efficacy suitable for stadium and sports lighting. High-mast and general purpose lighting.



PRODUCT SPECIFICATIONS

Housing

Aluminium alloy pressure die-casted housing & control gear box for better heat dissipation and aesthetic appeal. The fixture is epoxy powder- coated with smooth finish.

Optics

High lumen efficacy LED module with SMD LED package mounted with PC lens to ensure better uniformity of light distribution.

Mounting

Wall or surface mounting using adjustable MS cradle.

Control Gear

Powered by an integral electronic driver with output Short-Circuit Protection, Surge Protection & other safety tests.

Surge Protection

Up to 4 KV (internal); Inbuilt 10 KV external SPD

IP

66

RECOMMENDED USAGE

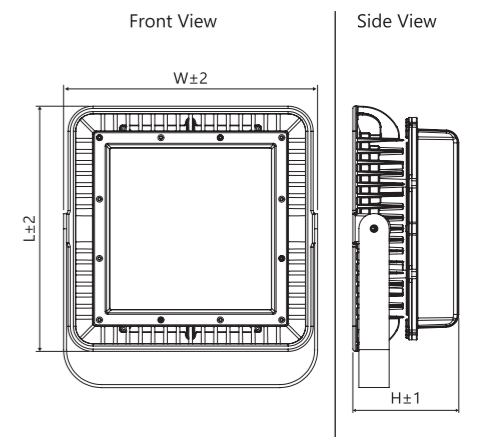
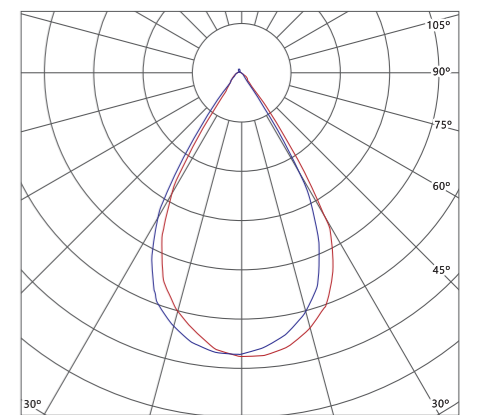
• Sports & Stadium Lighting • Highmast Lighting • Security Lighting • Junction Lighting

TECHNICAL DETAILS

Model No.	System Wattage	Rated CCT	CRI**	Rated Voltage	Power Factor	Dimensions (in mm)		
						L	W	H
LFSMP-050-C	50W	5700K	≥70	240V AC	≥0.95	247	190	68
LFSMP-080-C	80W	5700K	≥70	240V AC	≥0.95	247	190	68
LFSMP-100-C	100W	5700K	≥70	240V AC	≥0.95	400	258	82
LFSMP-120-C	120W	5700K	≥70	240V AC	≥0.95	400	258	82
LFSMP-150-C	150W	5700K	≥70	240V AC	≥0.95	400	258	82
LFSMP-200-C	200W	5700K	≥70	240V AC	≥0.95	460	304	90
LFSMP-250-C	250W	5700K	≥70	240V AC	≥0.95	460	304	90
LFSMP-300-C	300W	5700K	≥70	240V AC	≥0.95	503	346	75
LFSMP-350-C	350W	5700K	≥70	240V AC	≥0.95	503	346	75
LFSMP-400-C	400W	5700K	≥70	240V AC	≥0.95	503	346	75

ALPHA

Energy-saving, robust LED flood light luminaires with high efficacy-suitable for highlighting architectural facade High-mast and general purpose lighting.



PRODUCT SPECIFICATIONS

Housing

Aluminium alloy pressure die-casted housing & control gear box for better heat dissipation and aesthetic appeal. Gland is used for cable entry and loopin-loopout. The fixture is epoxy powder- coated with smooth finish.

Optics

High lumen efficacy LED module with SMD LED package mounted with PC lens to ensure better uniformity of light distribution.

Mounting

Wall or surface mounting using adjustable MS cradle.

Control Gear

Powered by an integral electronic driver with output Short-Circuit Protection, Surge Protection & other safety tests.

Surge Protection

Up to 4 KV (internal); Inbuilt 10 KV external SPD

IP

66

RECOMMENDED USAGE

• Area Lighting • Building Façade • Open Parking • Security Lighting • Junction Lighting

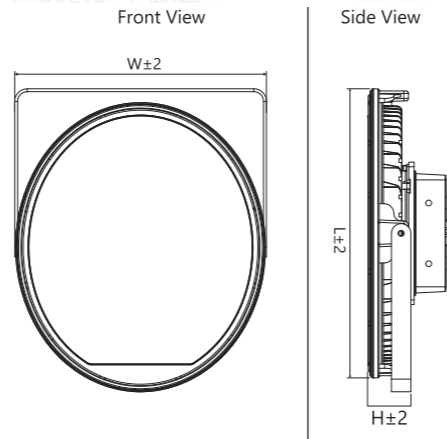
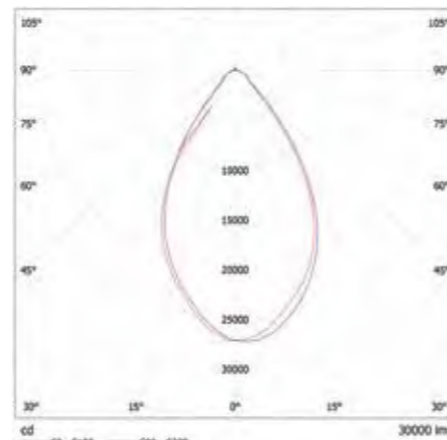
TECHNICAL DETAILS

Model No.	System Wattage	Rated CCT	CRI	Rated Voltage	Power Factor	Dimensions (in mm)		
						L	W	H
LFAP-050-C	50W	5700K	≥70	240V AC	≥0.95	237	238	125
LFAP-060-C	60W	5700K	≥70	240V AC	≥0.95	237	238	125
LFAP-070-C	70W	5700K	≥70	240V AC	≥0.95	237	238	125
LFAP-080-C	80W	5700K	≥70	240V AC	≥0.95	237	238	125
LFAP-100-C	100W	5700K	≥70	240V AC	≥0.95	237	238	125
LFAP-120-C	120W	5700K	≥70	240V AC	≥0.95	324	328	139
LFAP-150-C	150W	5700K	≥70	240V AC	≥0.95	324	328	139
LFAP-200-C	200W	5700K	≥70	240V AC	≥0.95	324	328	139
LFAP-250-C	250W	5700K	≥70	240V AC	≥0.95	324	328	139

CCT's are available in Cool white, Neutral white & Warm white.

DELTA

Energy-saving, robust LED flood light luminaires with high- efficacy suitable for stadium and sports lighting. High-mast and general purpose lighting.



PRODUCT SPECIFICATIONS

Housing

Aluminium alloy pressure die-casted housing & control gear box for better heat dissipation and aesthetic appeal. The fixture is epoxy powder-coated with smooth finish.

Optics

High lumen efficacy LED module with SMD LED package mounted with PC lens to ensure better uniformity of light distribution.

Mounting

Wall or surface mounting using adjustable MS cradle.

Control Gear

Powered by an integral electronic driver with output Short-Circuit Protection, Surge Protection & other safety tests.

Surge Protection

Up to 4 KV (internal); Inbuilt 10 KV external SPD

IP

66

RECOMMENDED USAGE

• Sports & Stadium Lighting • Highmast Lighting • Security Lighting • Junction Lighting

TECHNICAL DETAILS

Model No.	System Wattage	Rated CCT	CRI**	Rated Voltage	Power Factor	Dimensions (in mm)		
						L	W	H
LFDT-300-C	300W	5700K	≥70	240V AC	≥0.95	379	325	166
LFDT-350-C	350W	5700K	≥70	240V AC	≥0.95	460	394	177
LFDT-400-C	400W	5700K	≥70	240V AC	≥0.95	460	394	177
*LFDT-450-C	450W	5700K	≥70	240V AC	≥0.95	500	419	177
*LFDT-500-C	500W	5700K	≥70	240V AC	≥0.95	500	419	177

*Separate Driver box is provided in 450W & 500W.

**Customised CRI can be provided on request.

CCT's are available in Cool white, Neutral white & Warm white.

